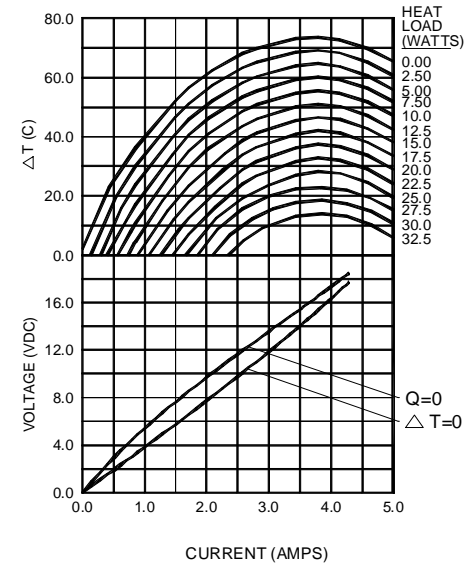
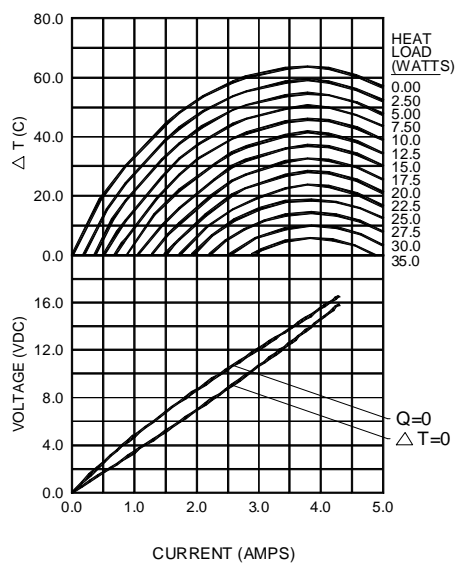
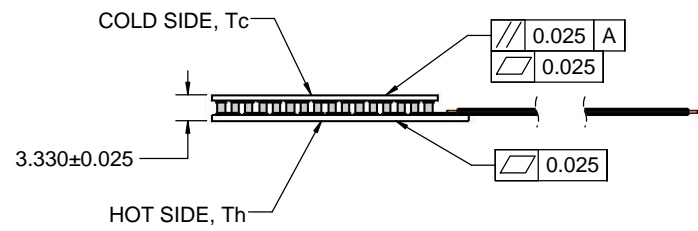
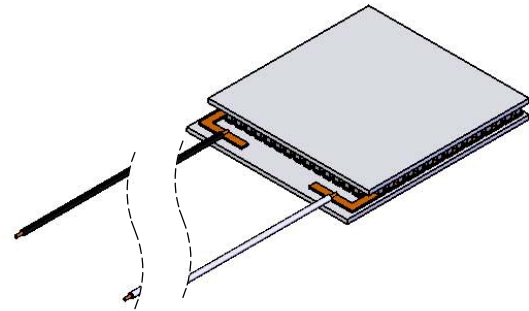
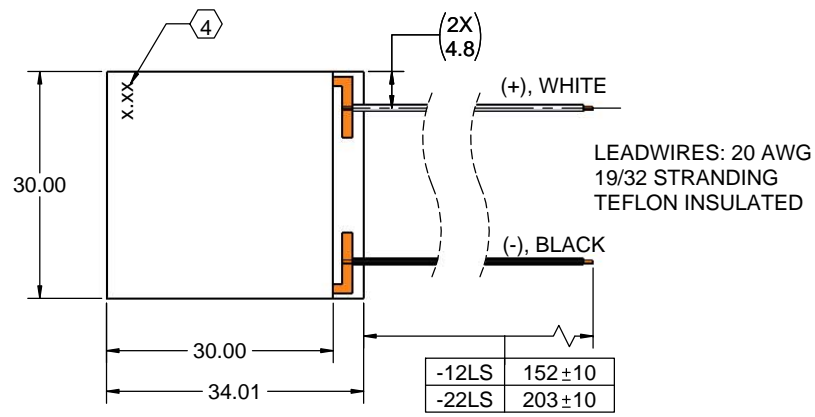


PROPRIETARY INFORMATION OF MARLOW INDUSTRIES, INC. A SUBSIDIARY OF II-VI INCORPORATED. THIS DOCUMENT CONTAINS INFORMATION DEEMED CONFIDENTIAL AND PROPRIETARY TO MARLOW INDUSTRIES AND IT IS TO BE USED ONLY FOR THE PURPOSE FOR WHICH IT HAS BEEN ADVANCED, WHETHER IN PRINTED OR ELECTRONIC FORM. THIS INFORMATION SHALL NOT BE DISTRIBUTED IN WHOLE OR IN PART TO OTHER ENTITIES WITHOUT WRITTEN PERMISSION OF MARLOW INDUSTRIES, INC.



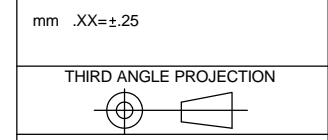
NOTES:

1. PRODUCT CONFORMS TO: EU RoHS.
  2. MAXIMUM OPERATING AND PROCESSING TEMPERATURE IS 130°C.
  3. CERAMIC MATERIAL: ALUMINUM OXIDE.
- ④ SET OF 2 ACR MATCHED TO WITHIN 0.02 OHMS. ACR IS MARKED IN PENCIL (X.XX).

TYPICAL PERFORMANCE – NITROGEN (1 ATM)		
$T_h$ , °C	: 27	50
$V_{max}$ , VDC	: 14.7	16.4
$\Delta T_{max}$ , °C	: 66	74
$I_{max}$ , AMPS	: 3.7	3.7
$Q_{max}$ , WATTS	: 36	39
AC Res, OHMS	: 3.2	--

XLT2422-22LS	TEM, SET OF 2, 203mm LEADWIRES
XLT2422-12LS	TEM, SET OF 2, 152mm LEADWIRES

PART NO	DESCRIPTION
UNLESS OTHERWISE SPECIFIED INTERPRET DRAWING PER ASME Y14.5	



MATERIAL  
**ALO**

FINISH N/A	USED ON <b>XLT2422</b>
---------------	---------------------------

ORIGINATOR **T. FLOY**  
CAD **TUAN CAO**  
ORIGINATION DATE **2/4/2016**

DRAWING TITLE:  
**Interface Control Drawing  
XLT2422-12LS/ -22LS**

DRAWING NUMBER:  
**100-2257**

REVISION <b>B</b>	REV EFF. DATE <b>6/9/2016</b>
CAGE 55686	SHEET: 1 OF 1